

Electric heater TEH 400



Standard equipment

- Extremely robust – top-quality product "made in Germany"
- Stackable
- Suitable for air transport hoses up to 100 metres
- Electronically-controlled multistage switch for air flow and air temperature
- Comes standard-equipped with protective frame, crane eyes, fork lift slits, transport wheels and parking brake
- Optionally available as a special model for use in Ex-protected environments

Optional designs and special equipment

- Air filter (Art.-No. 7.710.001.219)
- Integrated thermostat control on request
- Flexible Duct SP-T 600 mm 7,6 m (Art.-No. 6.100.001.218)
- Universal lashing belt for SP-Series (Art.-No. 6.100.001.995)
- Connector Nozzles SP 600 mm (Art.-No. 6.100.001.945)

Technical data

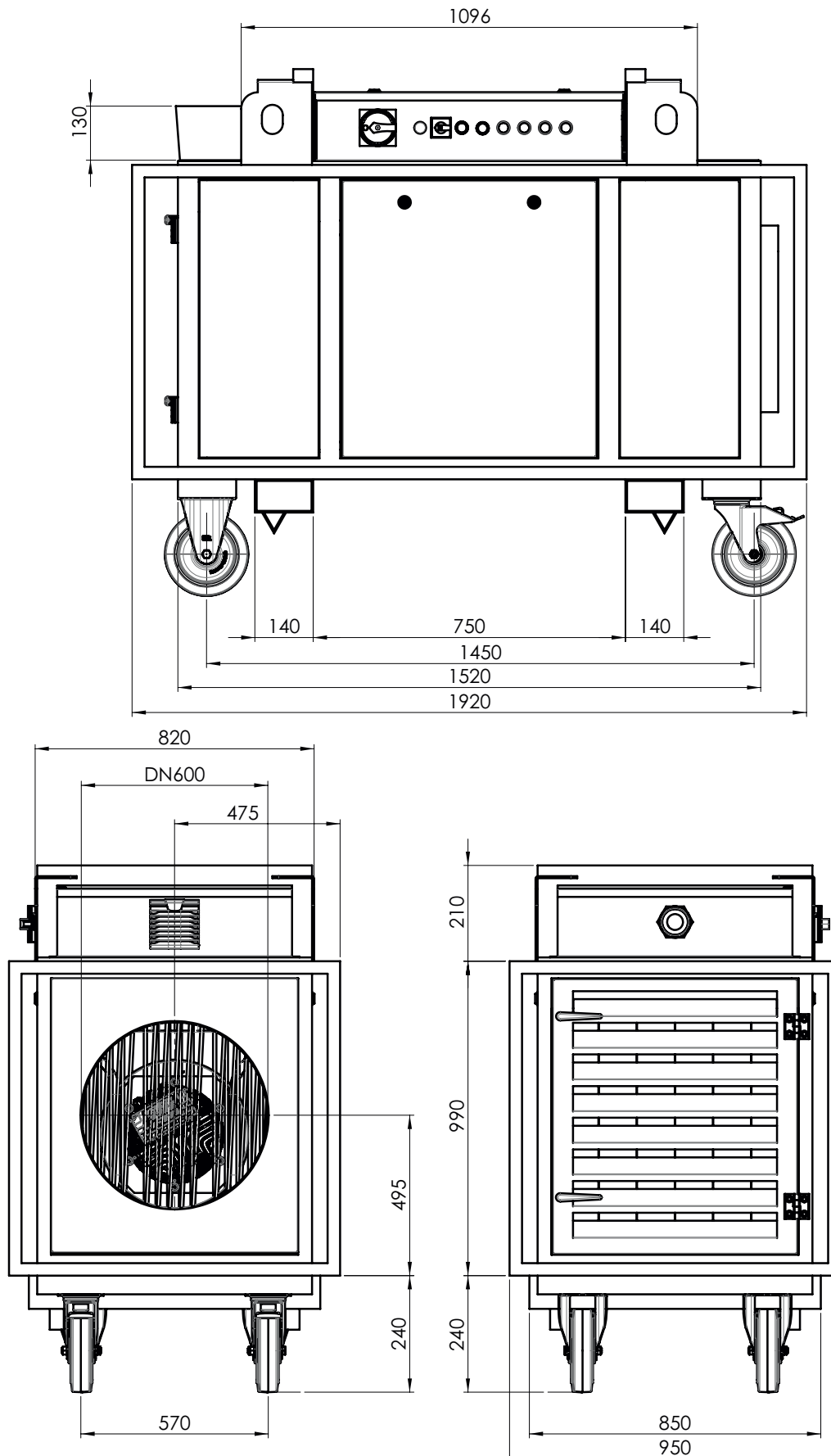
Heating capacity [kW]	120	
Air flow rate [m³/h]	9.000	
Air pressure [Pa]	600	
Temperature increase (ΔT) max. [°C]	60	
Air flow rate [m³/h]	Stage 0	9.000
Temperature increase (ΔT) [°C]		–
Air flow rate [m³/h]	Stage 1	9.000
Temperature increase (ΔT) [°C]		15
Air flow rate [m³/h]	Stage 2	9.000
Temperature increase (ΔT) [°C]		25
Air flow rate [m³/h]	Stage 3	9.000
Temperature increase (ΔT) [°C]		40
Air flow rate [m³/h]	Stage 4	6.000
Temperature increase (ΔT) [°C]		–
Air flow rate [m³/h]	Stage 5	6.000
Temperature increase (ΔT) [°C]		20
Air flow rate [m³/h]	Stage 6	6.000
Temperature increase (ΔT) [°C]		40
Air flow rate [m³/h]	Stage 7	6.000
Temperature increase (ΔT) [°C]		60
Input voltage	400 V / 50 – 60 Hz	
Current consumption [A]	182	
Fuse protection [A]	200	
Power consumption [kW]	125,4	
Connection plug	Direktanschluss	
Sound level 3 m [dB(A)]	78	
Hose connector [mm]	600	
Hose length max. [m]	100	
Weight (packaging excluded) [kg]	460	
Dimensions (Length x Width x Height) [mm]	1.920 x 950 x 1.450	

Subject to change without notice. All performance data refer to 1013 mbar, a density of 1.2 kg/m³ and a power supply with 3x400V/50 Hz+PE or 230V/50 Hz. For your project design we recommend to consider a safety discount of 10–20% for the dehumidification performance depending on the application.

TRT-DB-TEH-400-HS-001-DE

Electric heater TEH 400

Drawing Dimensions



TRT-DB-TEH-400-HS-001-DE